

**CHAPTER 6**  
**PO 106 – FIRE THE CADET AIR RIFLE**





## COMMON TRAINING INSTRUCTIONAL GUIDE



### SECTION 1

#### EO M106.01 – IDENTIFY THE PARTS AND THE CHARACTERISTICS OF THE DAISY 853C AIR RIFLE

Total Time:

30 min

### INTRODUCTION

#### PRE-LESSON INSTRUCTIONS

A complete list of resources needed for the instruction of this EO is located at Chapter 2 of the QSP. Specific uses for said stores are identified throughout the Instructional Guide, within the teaching point for which they are required.

Prior to instructing this lesson the instructor shall:

- review the lesson content, and become familiar with the material;
- carry out a safety precaution check on all rifles to be used during this lesson; and
- state to cadets that the rifles have been inspected and are safe to handle.

#### PRE-LESSON ASSIGNMENT

N/A.

#### APPROACH

This lesson will be presented using the interactive lecture method. The interactive lecture method was chosen as it best allows the instructor to make a semi-formal presentation of the material allowing the cadets to participate by asking or responding to questions, commenting on the material, or participating in short activities. This method appeals to auditory learners, with the potential for active participation in activities that appeal to tactile/ kinaesthetic learners.

#### REVIEW

N/A.

#### OBJECTIVES

By the end of this lesson the cadet shall be expected to identify the parts, and list the characteristics of the cadet air rifle.

#### IMPORTANCE

Cadets must have a basic knowledge of the cadet air rifle in order to understand how the rifle works and to safely follow directions given on the range.

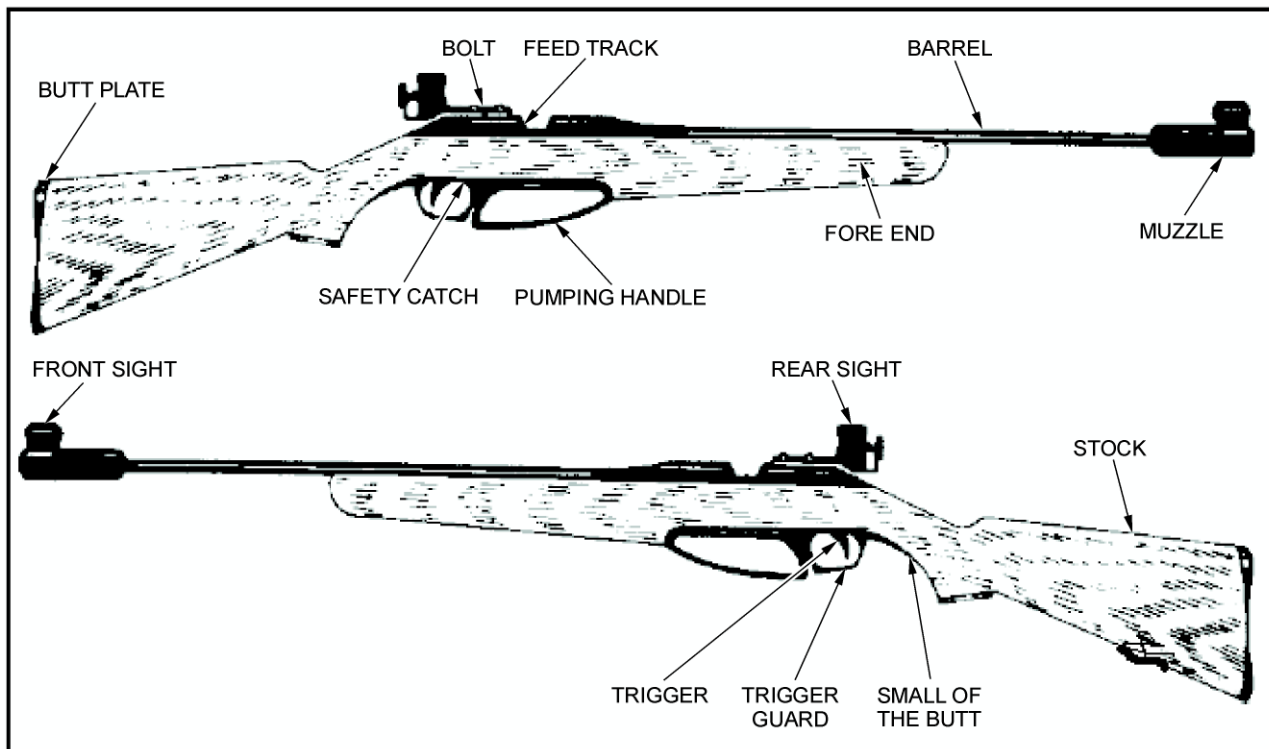
**Teaching Point 1****Identify the Parts of the Daisy 853C Air Rifle**

Time: 13 min

Method: Interactive Lecture

**PARTS**

- Depending on the number of rifles available, distribute them with an optimum ratio of one rifle for every two cadets.
- When possible, have a second instructor in the room to assist.
- **For safety purposes, maintain strict class control at all times.**



A-CR-CCP-177/PT-001

Figure 6-1-1 Parts of the Cadet Air Rifle

**Butt Plate (End of the Butt).** It is the part of the rifle directly in contact with the marksman's shoulder. When fitted properly, the butt plate aids in achieving a snug fit, and a consistent placement of the rifle into the shoulder. The addition of butt spacers allows for this adjustment in length.

**Spacers.** Plastic inserts that can be added or removed from the butt plate to vary its length. To add or take away butt spacers, use a Phillips screwdriver to loosen the butt plate and slide in/out the amount of spacers desired.

**Small of the Butt (Pistol Grip).** Curved area directly behind the trigger guard where the hand controlling the trigger grips the rifle.

**Stock.** Complete wooden portion of the rifle (from the butt plate end forward).

**Fore End (of the Stock).** Wooden portion of the stock from the trigger guard forward, in which the barrel and the rifle mechanism are encased.

**Sling.** It is a web sling made of nylon. Links the rifle to the marksman's arm to support most of the weight of the rifle. One end attaches to the sling bracket and the other to the upper arm.

**Sling Bracket (Hand Stop).** Adjustable metal clasp attached to the fore stock used to affix the sling to the rifle. It also acts as a hand stop, used to rest the left hand to prevent it from moving.

**Trigger.** Movable device that releases a spring and releases the rifle mechanism. This rifle has a single stage trigger that cannot be adjusted for weight.

**Trigger Guard.** Metal band that surrounds and protects the trigger.

**Safety Catch.** This is a mechanism that, once engaged, prevents the rifle from firing by locking the trigger in place. It is a cross bolt type device located on the trigger guard. The black side indicates that the rifle is unable to fire; the red side indicates the rifle is ready to fire. It should be ON (no red) at all times, unless firing.

**Bolt.** Metal lever used for opening or closing the rifle mechanism. It must be in the closed position in order to fire. For maximum safety when the rifle is uncased and not firing, the bolt should be kept open.

**Pump Handle.** Metal lever used to compress the air required to fire the pellet. Whenever the rifle is in a "safe rifle status", the pump lever should be left partially open.

**Front Sight.** Global front sight that uses aperture inserts.

**Rear Sight.** Micrometer sight adjustable for windage and elevation. It is easily attached to a metal rail located above the action. This rail allows for adjustment of the sight forward or backward, in order to maintain proper eye relief. The sight is attached using a small flat-blade screwdriver.

**Muzzle.** Front end of the barrel equipped with attachable barrel weight.

**Barrel With Barrel Weight.** Steel tube through which the pellet travels, extending from the muzzle to the chamber. The barrel weight ensures that the rifle's weight is evenly distributed and that the rifle's balance is maintained.

**Bore.** Interior of the barrel has spiral grooves cut into it. The lands are the ridges of metal between the grooves. Together, the grooves and lands are called rifling.

**Feed Track.** Delicate area where the pellet is inserted manually onto a single pellet adapter, or with a five-shot clip.

**Single Shot Adapter.** Plastic clip that aids in placing a pellet in the chamber.

**Five-shot Clip.** Plastic clip that holds a maximum of five pellets and used to place the pellets in the chamber.

**Chamber.** Location where the pellet is held before firing.

---

### CONFIRMATION OF TEACHING POINT 1

---

The instructor shall ensure that the cadet can identify the parts of the cadet air rifle by physically pointing to the parts, and having the cadets properly name the part.

**Teaching Point 2****Identify the Characteristics of the Daisy 853C Air Rifle**

Time: 12 min

Method: Interactive Lecture

**CHARACTERISTICS**

Identify the main characteristics of the cadet air rifle. Focus on these points during the confirmation section of this teaching point.

The characteristics of the Daisy 853C air rifle are:

- **Action.** Single pump pneumatic, straight pull-bolt.
- **Total Length.** 97.8 cm.
- **Total Weight.** 2.5 kg.
- **Calibre.** 0.177 calibre (4.5 mm).
- **Front Sight.** Global type with interchangeable aperture inserts.
- **Rear Sight.** Fully adjustable peep rear sight with micrometer click adjustment.
- **Muzzle Velocity.** 150.8 metres per second.
- **Loading.** Single or auto indexing five-pellet clip.
- **Stock.** Full-length, sporter-styled hardwood with adjustable length.
- **Safety.** Manual cross-bolt trigger block with red indicator.



These characteristics are “Nice to Know” and should be taught only if time permits.

- **Barrel.** Lothar Walther rifled high-grade steel barrel with weight: crowned 12 lands and grooves, right hand twist. Precision bore sized for match pellets. Approximate length 53.1 cm.
- **Maximum Range.** 235.4 metres.
- **Sling.** Adjustable competition web.
- **Trigger Weight.** Minimum 3.5 lb.
- **Chamber.** Open loading and made of steel.
- **Pumping Force.** 20 lbf.



With a muzzle velocity of 150.8 metres per second, the cadet air rifle is not a “firearm” under the current federal firearms legislation, but it is treated as one under the definition used by the Military Police.

---

## CONFIRMATION OF TEACHING POINT 2

---

### QUESTIONS

- Q1. The cadet air rifle has what type of action?
- Q2. What is the calibre of the cadet air rifle?
- Q3. The cadet air rifle uses what type of safety?

### ANTICIPATED ANSWERS

- A1. Single pump pneumatic, straight pull-bolt.
- A2. 0.177 calibre (4.5 mm).
- A3. Manual cross-bolt trigger block with red indicator.

---

## END OF LESSON CONFIRMATION

---

This EO may be confirmed with the handout found at Annex A. Allow cadets a few minutes to complete the annex, then have cadets switch sheets for correcting.



Correctly labelled diagram is located at page 6A-2.

---

## CONCLUSION

---

### HOMework/READING/PRACTICE

Cadets are to take home the corrected handout to study the parts of the cadet air rifle.

### METHOD OF EVALUATION

The instructor will confirm cadets' ability to identify the parts and characteristics of the cadet air rifle by asking questions during the end of lesson confirmation, and with the handout found at Annex A.

### CLOSING STATEMENT

Knowing the parts and characteristics of the cadet air rifle is important in understanding how the rifle works. This allows the cadet to be able to follow directions given on the range, and properly perform a handling test whenever an air rifle is to be used.

### INSTRUCTOR NOTES/REMARKS

Emphasis must be placed on the safety aspect of this lesson.

---

## REFERENCES

---

- A0-027 A-CR-CCP-177/PT-001 D Cdts 3. (2001). *Canadian Cadet Movement: Cadet Marksmanship Programme Reference Manual*. Ottawa, ON: Department of National Defence.

THIS PAGE INTENTIONALLY LEFT BLANK





## COMMON TRAINING INSTRUCTIONAL GUIDE



### SECTION 2

#### EO M106.02 – CARRY OUT SAFETY PRECAUTIONS ON THE CADET AIR RIFLE

---

Total Time: 30 min

---

### INTRODUCTION

---

#### PRE-LESSON INSTRUCTIONS

A complete list of resources needed for the instruction of this EO is located at Chapter 2 of the QSP. Specific uses for said stores are identified throughout the Instructional Guide, within the teaching point for which they are required.

Prior to instructing this lesson the instructor shall:

- review the lesson content, and become familiar with the material; and
- carry out a safety precaution check on all rifles to be used during this lesson. State to cadets that the rifles have been inspected and are safe to handle.

#### PRE-LESSON ASSIGNMENT

N/A.

#### APPROACH

This lesson will be presented using the demonstration and performance method for TP1 and TP2 and the interactive lecture method for TP3. The demonstration-performance method was chosen to allow cadets to participate in supervised exploration of practical instructional material. This method provides the instructor the opportunity to introduce the subject matter, demonstrate and explain procedures, and supervise the cadets while they imitate the skill. This method appeals to all learning styles. The interactive lecture method was chosen as it best allows the instructor to make a semi-formal presentation of the material allowing the cadets to participate by asking or responding to questions, commenting on the material, or participating in short activities. This method appeals to auditory learners, with the potential for active participation in activities that appeal to tactile/kinaesthetic learners.

#### REVIEW

The pertinent review for this lesson from, EO M106.01 (Section 1), will include:

- Having the cadets identify the characteristics of the Daisy 853C, to include:
  - **Action.** Single pump pneumatic, straight pull-bolt.
  - **Calibre.** 0.177 calibre (4.5 mm).
  - **Safety.** Manual cross-bolt trigger block with red indicator.

- **Loading.** Single or auto indexing five-shot clip.
- **Muzzle Velocity.** 150.8 metres per second.
- Having the cadets identify parts of the Daisy 853C by physically pointing to them and naming them, to include:
  - butt plate;
  - small of the butt (pistol grip);
  - sling bracket (hand stop);
  - trigger;
  - trigger guard;
  - safety catch;
  - bolt;
  - pump lever;
  - muzzle;
  - barrel with barrel weight; and
  - feed track.

## OBJECTIVES

By the end of this lesson the cadet shall be expected to carry out individual safety precautions on the cadet air rifle.

## IMPORTANCE

Safety precautions are essential to ensure everyone's safety on the range. Every time a cadet picks up a rifle or steps on a range, they must have safety in mind and check to ensure the rifle is safe (an individual safety precaution check when receiving, handing over, or returning to a rifle). Even when a rifle is presumably safe, it is to be checked again.

---

### Teaching Point 1

### Explain and Demonstrate How To Carry Out Individual Safety Precautions for the Cadet Air Rifle

Time: 10 min

Method: Demonstration and Performance

---

## REMOVING A RIFLE FROM THE CASE

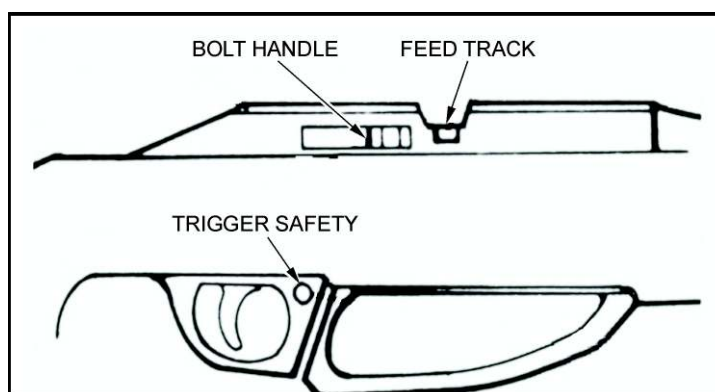
The rifle case should be clearly marked on the outside with an arrow, indicating in what direction the rifle inside is pointing. This will ensure that, when the case is opened, the rifle is pointing in a safe direction. The following steps must be followed when removing a rifle from its case:

1. Place the rifle case on a flat surface and ensure the arrow is pointing in a safe direction.
2. Open the case.
3. Cock the action (leave the bolt to the rear).

4. Confirm that the safety catch is ON.
5. Confirm that the pumping lever is partially open.
6. Slide the safety rod in the barrel towards the bolt until it can be seen in the feed track.
7. Remove the rifle from the case.
8. Remove the safety rod when you are on the firing line.

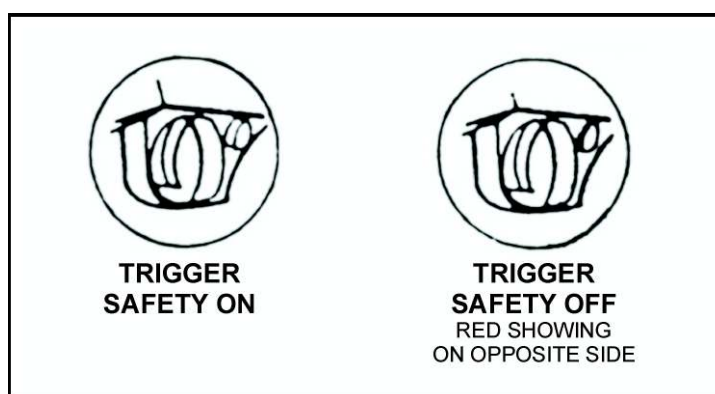
### SAFETY CATCH AND SECURITY MEASURES

The safety catch is a mechanism that, once engaged, prevents a rifle from firing by locking its trigger into place. It is located just in front of the trigger, on the trigger guard. To engage the safety catch (ON) it must be pushed towards the right **so no red can be seen**. To fire, the safety catch must be pushed towards the left in the OFF position and a red mark must be seen on it. For maximum security, it is recommended that the safety catch be kept engaged until the rifle is ready for firing.



*Daisy 853C Operational Manual*

Figure 6-2-1 Safety Catch



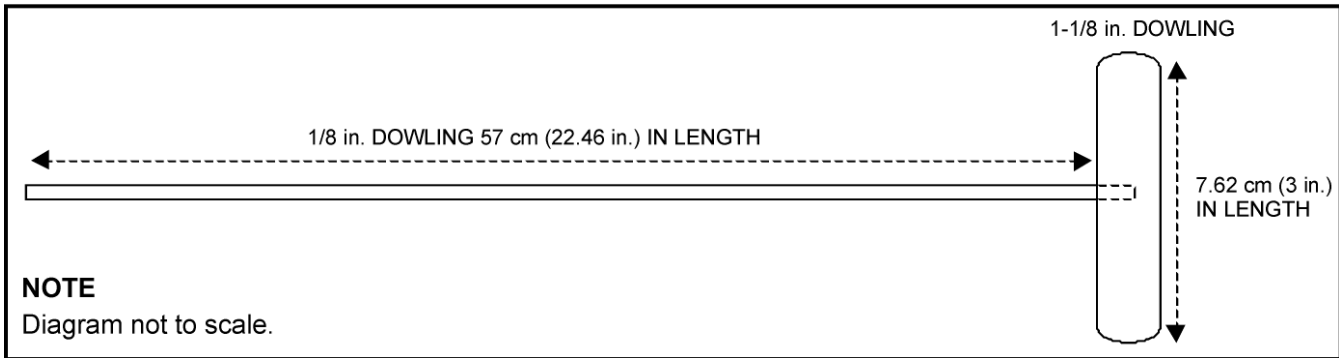
*Daisy 853C Operational Manual*

Figure 6-2-2 Safety Catch Detail View

### SAFETY ROD

To ensure that air rifles are not removed from the firing point or stored with a pellet in the chamber or barrel, a safety rod is to be inserted in the barrel from the muzzle end. It consists of two sections of doweling joined


together in a “T” shape, and may be made of varying materials. Dimensions are detailed in Figure 6-2-3. The tip of the safety rod is to be coloured red so that it is visible in the feed track with the bolt fully to the rear.



*Cadet Marksmanship Program Reference Manual*

Figure 6-2-3 Safety Rod

## SAFE RIFLE STATUS



The instructor shall demonstrate and explain points 1, 2 and 3 of the safe rifle status checks using full demonstrations and explanations prior to each new skill, followed by a chance for the cadets to imitate the skill under supervision.

When not being handled on the range or in a training environment, the air rifle must be in a safe status. The following options denote various states of “safe rifle status”:

1. **In the rifle case:**
  - a. The safety catch is ON.
  - b. The bolt is forward.
  - c. The action is not cocked.
  - d. The safety rod is in the case but not in the barrel.
  - e. The pump lever is partially open (5 to 8 cm).
2. **On the firing line:**
  - a. The safety catch is ON.
  - b. The bolt is to the rear.
  - c. The pump lever is partially open.
3. **Off the firing line:**
  - a. The safety catch is on.
  - b. The bolt is to the rear.
  - c. The safety rod is in the barrel (visible in the feed track).
  - d. The pump lever is partially open.

---

### CONFIRMATION OF TEACHING POINT 1

---

Have the cadets, under supervision, perform the steps for "Safe Rifle Status" for:

- a. on the firing line; and
- b. off the firing line.

---

#### Teaching Point 2

#### Carry Out Individual Safety Precautions

Time: 10 min

Method: Demonstration and Performance

---

#### INDIVIDUAL SAFETY PRECAUTIONS



The instructor shall provide an EXPLANATION and DEMONSTRATION of the complete skill.

The instructor shall also provide an EXPLANATION and DEMONSTRATION of each step required to effectively complete the skill.

Upon receiving a rifle, or when the "Safe Rifle Status" is uncertain, individual safety precautions shall be done to confirm that the rifle is safe. An individual must ensure that:

1. the bolt is open fully to the rear;
2. the safety catch is in the ON position;
3. the pump lever is left partially open; and
4. a safety rod is placed in the barrel.



Cadets will IMITATE the demonstration provided by the instructor for each step within the skill. The instructor(s) will SUPERVISE the cadets during this imitation.

---

### CONFIRMATION OF TEACHING POINT 2

---

Have cadets carry out individual safety precautions. Cadets will also be required to perform this skill during their air rifle handling test.

---

#### Teaching Point 3

#### Explain and Demonstrate Safety Regulations for the Cadet Air Rifle

Time: 5 min

Method: Interactive Lecture

---

#### SAFETY REGULATIONS

Safety regulations are all common sense and are easy to apply when people understand that they are necessary to help prevent accidents with the air rifle. Regulations include:

1. treating the air rifle as if it is loaded;

2. never pointing the air rifle at anyone;
3. holding the rifle vertically when moving to and from the firing point;
4. leaving fingers off the trigger until ready to fire;
5. wearing safety glasses/goggles; and
6. employing hygiene on the range by washing hands after every practice.



The Canadian Firearms Centre safety training teaches that the vital four “**ACTS**” of firearm safety. The acronym “**ACTS**” stands for:

- **A**ssume every firearm is loaded.
- **C**ontrol the muzzle direction at all times.
- **T**rigger finger must be kept off the trigger and out of the trigger guard.
- **S**ee that the firearm is unloaded – prove it safe.

---

### CONFIRMATION OF TEACHING POINT 3

---

#### QUESTIONS

- Q1. Why do we follow safety regulations?
- Q2. What are some common sense safety regulations?
- Q3. What does the acronym “ACTS” stand for?

#### ANTICIPATED ANSWERS

- A1. To help prevent accidents with the air rifle.
- A2. Any from list taught:
  - a. Treating the air rifle as if it is loaded.
  - b. Never point the air rifle at anyone.
  - c. Holding the rifle vertically when moving to and from the firing point.
  - d. Leaving fingers off the trigger until ready to fire.
  - e. Wearing safety glasses/goggles.
  - f. Employing hygiene on the range by washing hands after every practice.
- A3. **ACTS** stands for; **A**ssume every firearm is loaded, **C**ontrol the muzzle direction at all times, **T**rigger finger must be kept off the trigger and out of the trigger guard, **S**ee that the firearm is unloaded – prove it safe.

---

**END OF LESSON CONFIRMATION**

---

**QUESTIONS**

- Q1. What does the arrow on the rifle case indicate?
- Q2. How do we know if the safety catch is ON?
- Q3. What are the vital four “**ACTS**” of firearm safety?

**ANTICIPATED ANSWERS**

- A1. The direction of the rifle inside the case.
- A2. No red can be seen.
- A3. **ACTS** stands for; **A**ssume every firearm is loaded, **C**ontrol the muzzle direction at all times, **T**rigger finger must be kept off the trigger and out of the trigger guard, **S**ee that the firearm is unloaded – prove it safe.

---

**CONCLUSION**

---

**HOMEWORK/READING/PRACTICE**

N/A.

**METHOD OF EVALUATION**

The cadet will be required to perform individual safety precautions with the cadet air rifle as an aspect of the handling test.

**CLOSING STATEMENT**

Being able to carry out safety precautions on the cadet air rifle is essential for functioning safely on the range following directions given on the range, and successfully performing a handling test.

**INSTRUCTOR NOTES/REMARKS**

Emphasis must be placed on the safety aspects of this lesson.

---

**REFERENCES**

---

- A0-027 A-CR-CCP-177/PT-001 D Cdts 3. (2001). *Canadian Cadet Movement: Cadet Marksmanship Programme Reference Manual*. Ottawa, ON: Department of National Defence.

THIS PAGE INTENTIONALLY LEFT BLANK





## COMMON TRAINING INSTRUCTIONAL GUIDE



### SECTION 3

#### EO M106.03 – APPLY BASIC MARKSMANSHIP TECHNIQUES

Total Time:

60 min

### INTRODUCTION

#### PRE-LESSON INSTRUCTIONS

A complete list of resources needed for the instruction of this EO is located at Chapter 2 of the QSP. Specific uses for said stores are identified throughout the Instructional Guide, within the teaching point for which they are required.

Prior to instructing this lesson the instructor shall:

- review the lesson content, and become familiar with the material; and
- prepare a mock air rifle range prior to the beginning of the lesson.

#### PRE-LESSON ASSIGNMENT

N/A.

#### APPROACH

This lesson will be presented using the demonstration and performance method. The demonstration-performance method was chosen to allow cadets to participate in supervised exploration of practical instructional material. This method provides the instructor the opportunity to introduce the subject matter, demonstrate and explain procedures, and supervise the cadets while they imitate the skill. This method appeals to all learning styles.



This lesson may be better presented using a round robin format for those squadrons with large first year groups.

#### REVIEW

The pertinent review for this lesson, from EO M106.02 (Section 2), will include:

#### QUESTIONS

- Q1. Why are the individual safety precautions performed?
- Q2. What is the purpose of the “safety catch”?

## ANTICIPATED ANSWERS

- A1. To confirm a rifle is safe.
- A2. It prevents a rifle from firing by locking its trigger into place.

## OBJECTIVES

By the end of this lesson the cadet shall be expected to apply basic marksmanship techniques to include:

- prone position;
- basic holding;
- basic aiming;
- loading;
- firing; and
- unloading.

Cadets will apply the knowledge gained during this lesson when they participate in any range practice.

## IMPORTANCE

These techniques must all be applied in harmony. Improving one while not working on another will not produce the best results in the long run. Perfecting these techniques takes time and concentration. Cadets should remember – PRACTICE MAKES PERFECT!

---

### Teaching Point 1

### Explain and Demonstrate the Prone Position

Time: 4 min

Method: Demonstration and Performance

---

The first principle of marksmanship is to find a comfortable shooting position. A comfortable shooting position will enable cadets to shoot safely and with much better results. The prone position is the most stable shooting position to use.

## OBJECTIVES OF A GOOD POSITION



Have cadets down get on the mat and assume the prone position. From here, the instructor is better prepared to observe the cadets imitating the skills being taught.



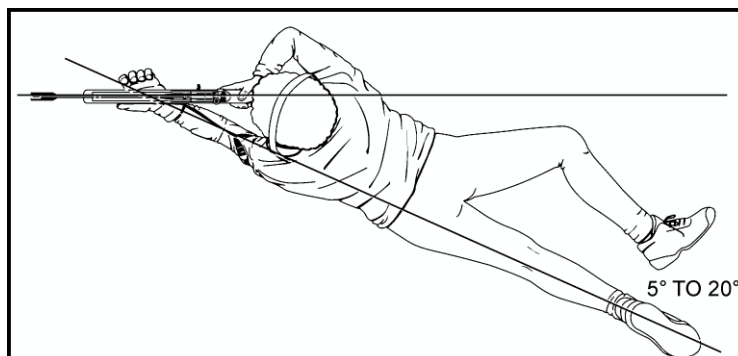
The instructor shall provide an EXPLANATION and DEMONSTRATION of the complete skill.

The instructor shall also provide an EXPLANATION and DEMONSTRATION of each step required to effectively complete the skill.

Obtaining a good prone position is one of the most, if not the most, important principle of marksmanship. A good prone position helps to maintain comfort and stability during the firing session. The prone position is assumed

when the shooter lies flat, directly behind the rifle, with a very slight angle between their body and the rifle, and in line with the target. The position should be:

- natural;
- without strain;
- comfortable; and
- stable, in that the:
  - body should form an angle with the line of sight;
  - spine should remain straight;
  - left leg should be parallel with the spine;
  - right foot should turn out and point to the right;
  - left foot should either be straight or point towards the right; and
  - right knee should form an angle with the left leg.



*Cadet Marksmanship Program Reference Manual*

Figure 6-3-1 Prone Position



Cadets will IMITATE the demonstration provided by the instructor for each step within the skill. The instructor(s) will SUPERVISE the cadets during this imitation.

### CONFIRMATION OF TEACHING POINT 1



The instructor will divide the group into two, or, by the number of air rifles available.

The instructor shall have one group imitate the actions of the sequence as demonstrated, while the remainder observe. Have them trade places, and repeat.

**Teaching Point 2****Explain and Demonstrate How To Hold the Cadet Air Rifle**

Time: 7 min

Method: Demonstration and Performance

**HOLDING THE CADET AIR RIFLE**

The instructor shall provide an EXPLANATION and DEMONSTRATION of the complete skill.

The instructor shall also provide an EXPLANATION and DEMONSTRATION of each step required to effectively complete the skill.

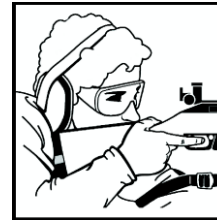
The prone position allows holding to be achieved with as little movement and muscular tension as possible, in that the:

- left elbow should be positioned slightly to the left of the rifle;
- left hand must rest firmly against the sling swivel, and the fingers should be relaxed and not grip the fore end;
- right hand should slightly grip the small of the butt with constant pressure;
- right thumb should be placed on the stock directly behind the rear sight or around the small of the butt;
- right elbow should rest naturally where it falls, not too close or too far from the rifle;
- the shoulders should be straight and form right angles with the spine;
- the butt plate is kept firmly in the hollow of the right shoulder. The right elbow will naturally fall in the same spot throughout the relay; and
- the head rests comfortably on the butt and remains straight.



*Cadet Marksmanship Program Reference Manual*

Figure 6-3-2 Prone Position (Front)



*Cadet Marksmanship Program Reference Manual*

Figure 6-3-3 Prone Position (Side)



Cadets will IMITATE the demonstration provided by the instructor for each step within the skill. The instructor(s) will SUPERVISE the cadets during this imitation.

---

**CONFIRMATION OF TEACHING POINT 2**


---



The instructor will divide the group into two, or, by the number of air rifles available. The instructor shall have one group imitate the actions of the sequence as demonstrated, while the remainder observe, and then have them trade places, and repeat.

---

**Teaching Point 3**
**Explain and Demonstrate How To Aim the Cadet Air Rifle**

Time: 4 min

Method: Demonstration and Performance

---

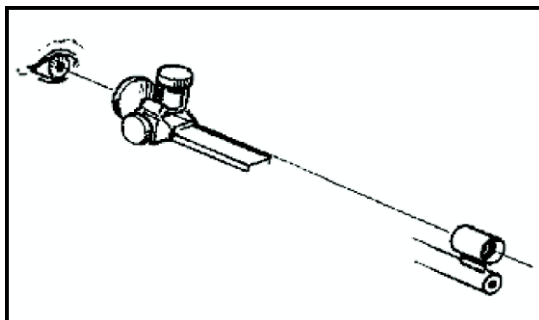
**AIMING THE CADET AIR RIFLE**

Cadets must constantly strive to maintain proper sight alignment, while obtaining a sight picture. It is the most critical element of the aiming process.

The **aiming process** consists of:

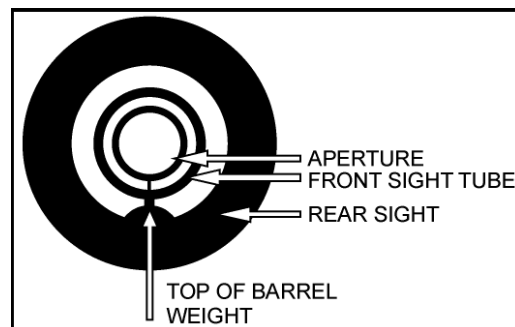
- adopting a comfortable position; and
- ensuring proper body alignment with the target.

**Sight Alignment.** It is the alignment of the eye, the rear sight, and the front sight. When cadets bring their eye 5 to 15 cm from the rear sight, they will find that the small hole is large enough to look through and see all of the front sight. Proper sight alignment is a matter of centering the front sight tube in the rear sight. The tube will not quite fill the rear sight and cadets will be able to see light around the outside of the tube; we call this a “line of white”.



*Cadet Marksmanship Program Reference Manual*

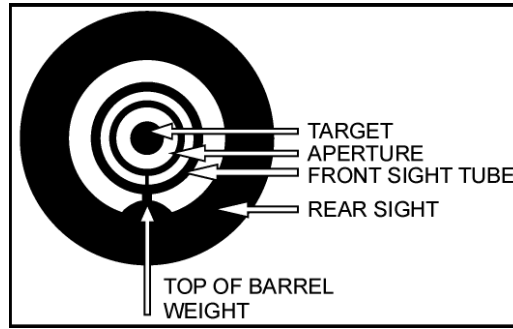
Figure 6-3-4 Sight Alignment



*Cadet Marksmanship Program Reference Manual*

Figure 6-3-5 Line of White

**Sight Picture.** To obtain a proper sight picture, a bull's-eye is simply added to the innermost ring. The goal during the aiming process is to maintain proper sight alignment while keeping the bull centered in the front sight.



*Cadet Marksmanship Program Reference Manual*

Figure 6-3-6 Sight Picture

---

### CONFIRMATION OF TEACHING POINT 3

---

#### QUESTIONS

- Q1. What are the two critical elements of the aiming process?
- Q2. Sight alignment consists of what three things?
- Q3. What is added to the innermost ring to obtain a proper sight picture?

#### ANTICIPATED ANSWERS

- A1. Adopting a comfortable position, and ensuring proper body alignment with the target.
- A2. The eye, the rear sight, and the front sight.
- A3. A bull's-eye.



The cadets' aiming abilities will be further assessed during future range practices. The instructor(s) will observe cadets during practices, and assess targets to confirm the skill of aiming.

---

#### Teaching Point 4

#### Explain and Demonstrate How To Load and Unload the Cadet Air Rifle

Time: 14 min

Method: Demonstration and Performance

---

#### LOADING THE AIR RIFLE



The instructor shall provide an EXPLANATION and DEMONSTRATION of the complete skill.

The instructor shall also provide an EXPLANATION and DEMONSTRATION of each step required to effectively complete the skill.

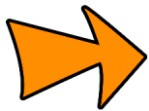
This will be conducted as a DRY FIRE EXERCISE ONLY.

Loading procedure:

1. Pick up the rifle with the left hand.
2. Ensure the safety catch is in the ON position.
3. Pump the air rifle, pausing for 3 seconds.
4. Bring the pump handle back to closed position.
5. Simulate loading a pellet, or load an auto indexing five-pellet clip into the feed track.
6. Close the bolt.

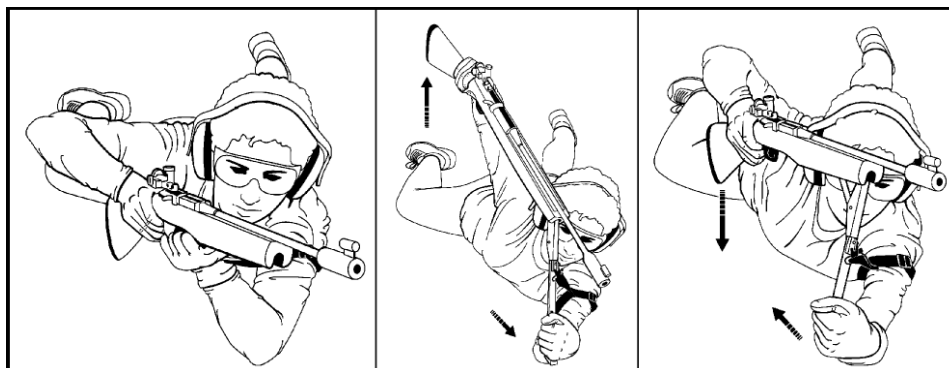


Cadets will IMITATE the demonstration provided by the instructor for each step within the skill. The instructor(s) will SUPERVISE the cadets during this imitation.



The following methods may be used when pumping the air rifle:

- **Option 1.** Grasp the pistol grip with the right hand. Grasp the pump handle with the left hand. Push downward with the left hand until the pump handle is fully extended. Wait for a few seconds. Using the left hand, bring the pump handle back to the stock of the rifle. The rifle should remain stationary during the pumping process and always point towards the targets.
- **Option 2.** Grasp the pistol grip with the right hand. Grasp the pump handle with the left hand. Place the butt of the rifle under the right arm or shoulder for support. Push downward with the left hand until the pump handle is fully extended. Wait for a few seconds. Using the left hand, bring the pump handle back to the stock of the rifle allowing the underarm and shoulder to help hold the rifle steady when closing the pump handle. Remember that the rifle must always point towards the targets.
- **Option 3 – Coach Assistance.** Point the rifle in a safe direction and request the assistance from a coach. The coach should move in and pump the rifle using both hands. This should be used as last resorts as any cadet can easily do the above two options.



*Cadet Marksmanship Program Reference Manual*

Figure 6-3-7 Pumping the Air Rifle



Do not pump the rifle more than once per shot. This air rifle is designed to withstand the pressure based on a single pump stroke.



The instructor shall provide an EXPLANATION and DEMONSTRATION of the complete skill.

The instructor shall also provide an EXPLANATION and DEMONSTRATION of each step required to effectively complete the skill.

## UNLOADING THE CADET AIR RIFLE

Follow the unloading sequence of the cadet air rifle, to include:

### UNLOAD

1. Pick up the air rifle.
2. Remove five-pellet clip (if used).
3. Open the bolt (do not insert a pellet).
4. Pump the air rifle, pausing for 3 seconds.
5. Close the bolt (do not insert a pellet).
6. Place the safety catch in the OFF position.
7. Aim the rifle at the target.
8. Squeeze the trigger.
9. Place the safety catch in the ON position.

### PREPARE FOR INSPECTION

1. Open the bolt.
2. Open the pump handle slightly.
3. Place the rifle on shoulder, muzzle pointed down range.
4. Wait to be cleared by the RSO.
5. Lay the rifle down.



Cadets will IMITATE the demonstration provided by the instructor for each step within the skill. The instructor(s) will SUPERVISE the cadets during this imitation.



---

### CONFIRMATION OF TEACHING POINT 4

---



The instructor will divide the group into two, or by the number of air rifles available. The instructor shall have one group imitate the actions of the sequence as demonstrated, while the remainder observe. Have them trade places, and repeat.

---

#### Teaching Point 5

#### Fire the Cadet Air Rifle

Time: 22 min

Method: Demonstration and Performance

---

#### FIRING THE CADET AIR RIFLE

Follow the sequence required to fire the cadet air rifle, to include:

1. When the RSO gives the command, place safety catch in the OFF position.
2. Aim the air rifle at the target.
3. Squeeze the trigger.
4. Open the bolt, pump the rifle, reload, aim and fire.
5. Repeat the last step until firing is complete.
6. Upon completion, place the safety catch in the ON position and partially opening the pump lever.
7. Lay the air rifle down.

---

### CONFIRMATION OF TEACHING POINT 5

---



The instructor will divide the group into two, or by the number of air rifles available. The instructor shall have one group imitate the actions of the sequence as demonstrated, while the remainder observe. Have them trade places, and repeat.

---

### END OF LESSON CONFIRMATION

---

The instructor will divide the group into two, or by the number of air rifles available. The instructor shall have one group imitate the actions of the sequence for all teaching points as demonstrated, while the remainder observe, and then have them trade places, and repeat.

---

### CONCLUSION

---

#### HOMework/READING/PRACTICE

N/A.

## **METHOD OF EVALUATION**

N/A.

## **CLOSING STATEMENT**

The first principle of marksmanship is to find a comfortable shooting position. A comfortable shooting position will enable cadets to shoot safely and with much better results. The prone position is the most stable shooting position to use.

## **INSTRUCTOR NOTES/REMARKS**

1. Emphasis must be placed on the safety aspects of this lesson.
2. Ensure thorough confirmation by stages.

---

## **REFERENCES**

---

A0-027 A-CR-CCP-177/PT-001 D Cdts 3. (2001). *Canadian Cadet Movement: Cadet Marksmanship Programme Reference Manual*. Ottawa, ON: Department of National Defence.



## COMMON TRAINING INSTRUCTIONAL GUIDE



### SECTION 4

#### EO M106.04 – FOLLOW RULES AND COMMANDS ON AN AIR RIFLE RANGE

---

Total Time:	30 min
-------------	--------

---

### INTRODUCTION

---

#### PRE-LESSON INSTRUCTIONS

A complete list of resources needed for the instruction of this EO is located at Chapter 2 of the QSP. Specific uses for said stores are identified throughout the Instructional Guide, within the teaching point for which they are required.

Prior to instructing this lesson the instructor shall:

- review the lesson content, and become familiar with the material; and
- prepare a mock air rifle range to be used when teaching the lesson.

#### PRE-LESSON ASSIGNMENT

N/A.

#### APPROACH

This lesson will be presented using the interactive lecture method for TP1 and the demonstration-performance method for TP2. The interactive lecture method was chosen as it best allows the instructor to make a semi-formal presentation of the material allowing the cadets to participate by asking or responding to questions, commenting on the material, or participating in short activities. This method appeals to auditory learners, with the potential for active participation in activities that appeal to tactile/kinaesthetic learners. The demonstration-performance method was chosen to allow cadets to participate in supervised exploration of practical instructional material. This method provides the instructor the opportunity to introduce the subject matter, demonstrate and explain procedures, and supervise the cadets while they imitate the skill. This method appeals to all learning styles.

#### REVIEW

The pertinent review for this lesson, from EO M106.03 (Section 3), will include:

#### QUESTIONS

- Q1. What two things do a good prone position help to maintain?
- Q2. Sight alignment consists of what three steps?
- Q3. What is added to the innermost ring to obtain a proper sight picture?

## ANTICIPATED ANSWERS

- A1. Comfort and stability.
- A2. The eye, the rear sight, and the front sight.
- A3. A bull's-eye.

## OBJECTIVES

By the end of this lesson the cadet shall be expected to handle rifles safely and properly execute range commands.

## IMPORTANCE

Firearms safety is the number one priority on and off the range so everyone must do their part to prevent accidents. In marksmanship, the majority of incidents are caused by ignorance of proper rifle operating procedures or by mishandling.

---

### Teaching Point 1

### Explain Rules Cadets Must Follow on the Range

Time: 10 min

Method: Interactive Lecture

---

## RULES CADETS MUST FOLLOW ON THE RANGE



**The instructor will read Local Range Standing Orders at the beginning of this period.**

Range Standing Orders are locally produced for each range. They detail rules to be followed on that range. General rules observed on all ranges include:

1. Rifles will be proved safe when picked up, handed to or received from another person.
2. Rifles are never pointed at any person.
3. Safety rods shall be inserted into the barrels of rifles when not in use on the range.
4. Horseplay is forbidden on the range.
5. Rifles, whether loaded or not, will always be pointed down range.
6. Eating is not permitted on or near the range or around the pellets.
7. All personnel shall read or be briefed on the contents of the Range Standing Orders.
8. The RSO's directions and orders are to be obeyed at all times.

---

## CONFIRMATION OF TEACHING POINT 1

---

## QUESTIONS

- Q1. When should a rifle be proved safe?

- Q2. When can rifles be pointed at other people?
- Q3. When should the directions and orders of the RSO be followed?

### ANTICIPATED ANSWERS

- A1. When picked up, handed to or received from another person.
- A2. Rifles are never pointed at any person.
- A3. The RSO's directions and orders are to be obeyed at all times.

### Teaching Point 2

### Explain Range Commands

Time: 15 min

Method: Demonstration and Performance




The instructor shall provide an EXPLANATION and DEMONSTRATION of each command and the associated action to be taken.


**All loading/firing is to be simulated. No pellets are to be fired.**

### RANGE COMMANDS CADETS MUST FOLLOW

Command	Action To Be Taken
1. Cover off your firing point.	1. Move to a position behind your assigned firing point.
2. Place your equipment down and stand back.	2. As directed.
3. Adopt the prone position.	3. Lay down in prone position IAW EO M106.03 (Section 3).
4. "G.R.I.T." in that GRIT is the acronym for: a. Group (relay) b. Range c. Indication d. Type	4. Listen for direction on type of shooting to be carried out.
5. Relay load, commence firing.	5. Load IAW EO M106.03 (Section 3), and fire.
6. Relay, cease fire.	6. Stop, engage the safety catch of the air rifle, and wait for directions.
7. Relay, resume fire.	7. As directed.
8. Relay, unload.	8. Unload IAW EO M106.03 (Section 3).
9. Relay, prepare for inspection.	9. Prepare for inspection IAW EO M106.03 (Section 3).
10. Relay, stand up.	10. As directed.

Command	Action To Be Taken
11. Change targets; and change relay.	11. Move forward under direction of RSO, retrieve target and replace with new one, move back off of range.

 Cadets will IMITATE the demonstration provided by the instructor for each step within the process. The instructor(s) will SUPERVISE the cadets during this imitation.

 The information in this teaching point is amplified in Annex B, and should be reviewed prior to any cadet participating in a shooting practice.

---

**CONFIRMATION OF TEACHING POINT 2**

---

Confirmation of this teaching point shall be accomplished through observation during the above imitation and supervision phases.

---

**END OF LESSON CONFIRMATION**

---

**QUESTIONS**

- Q1. When is horseplay allowed on the range?
- Q2. The contents of the Range Standing Orders shall be read to whom?
- Q3. What direction must rifles be pointed while on the range?

**ANTICIPATED ANSWERS**

- A1. Never, it is forbidden.
- A2. Everyone.
- A3. Down range at all times.

---

**CONCLUSION**

---

**HOMEWORK/READING/PRACTICE**

Study "Range Commands and Action" chart prior to all range practices.

**METHOD OF EVALUATION**

The instructor will confirm the cadets' ability to employ the rules and commands of an air rifle range during the handling test and range practice.

**CLOSING STATEMENT**

Firearms safety is the number one priority on and off the range, so everyone must do their part to prevent accidents. In marksmanship, the majority of incidents are caused by either ignorance of proper rifle operating procedures, or by mishandling.

**INSTRUCTOR NOTES/REMARKS**

N/A.

---

**REFERENCES**

---

A0-027 A-CR-CCP-177/PT-001 D Cds 3. (2001). *Canadian Cadet Movement: Cadet Marksmanship Programme Reference Manual*. Ottawa, ON: Department of National Defence.

THIS PAGE INTENTIONALLY LEFT BLANK





## COMMON TRAINING INSTRUCTIONAL GUIDE



### SECTION 5

#### EO M106.05 – CLEAN AND STORE THE CADET AIR RIFLE

---

Total Time: 30 min

---

### INTRODUCTION

---

#### PRE-LESSON INSTRUCTIONS

A complete list of resources needed for the instruction of this EO is located at Chapter 2 of the QSP. Specific uses for said stores are identified throughout the Instructional Guide, within the teaching point for which they are required.

Prior to instructing this lesson the instructor shall:

- review the lesson content, and become familiar with the material; and
- prepare a mock air rifle range to be used in the conduct of the lesson.

#### PRE-LESSON ASSIGNMENT

N/A.

#### APPROACH

This lesson will be presented using the demonstration and performance method. The demonstration-performance method was chosen to allow cadets to participate in supervised exploration of practical instructional material. This method provides the instructor the opportunity to introduce the subject matter, demonstrate and explain procedures, and supervise the cadets while they imitate the skill. This method appeals to all learning styles.

#### REVIEW

The pertinent review for this lesson, from EO M106.04 (Section 4), will include:

- Q1. When should a rifle be proved safe?
- Q2. What does the acronym “GRIT” stand for?
- Q3. In what direction must rifles be pointed while on the range?

#### ANTICIPATED ANSWERS

- A1. When picked up, handed to or received from another person.
- A2. Group, Range, Indication, and Time.
- A3. Downrange at all times.

**OBJECTIVES**

By the end of this lesson the cadet shall be expected to clean and store the cadet air rifle during a range practice.

**IMPORTANCE**

Many inaccuracy complaints can be traced back to a dirty bore. Therefore, air rifles must be cleaned and maintained on a regular basis in order to ensure proper operation and sustained accuracy.


**Teaching Point 1**

**Explain and Demonstrate the Procedure for Cleaning the Cadet Air Rifle**

Time: 15 min

Method: Demonstration and Performance

**THE IMPORTANCE OF CLEANING THE AIR RIFLE**




No one should attempt to clean a rifle until individual safety precautions have been performed on the rifle, and it is certain that the barrel is clear of any obstructions.

It is important to keep the air rifle clean because a dirty bore will eventually cause accuracy problems. Although air rifles do not suffer from powder deposits as do small bore and large bore rifles, they do experience a build-up of residue in the barrel.

**WHEN TO CLEAN THE AIR RIFLE**

There are four main times to clean the cadet air rifle:

1. Before firing.
2. After firing.
3. Periodically.
4. Before storage.



Cadets will not actually be cleaning the air rifle during this period of instruction. This may be done after participating in a range practice.

**CLEANING PROCEDURE FOR THE AIR RIFLE**

When	Action
Before firing	Fire two to three felt cleaning pellets.
After firing	Fire two to three felt cleaning pellets.
Periodically	<ol style="list-style-type: none"> <li>1. Fire a felt cleaning pellet soaked in SAE 30 motor oil.</li> <li>2. Wait five minutes.</li> <li>3. Fire three felt cleaning pellets.</li> </ol>

When	Action
Before storage of three months or more.	<ol style="list-style-type: none"> <li>1. Fire two to three felt cleaning pellets.</li> <li>2. Fire one felt cleaning pellet soaked in SAE 30 motor oil.</li> <li>3. Fire three felt cleaning pellets when taking rifle out of storage.</li> </ol>

---

### CONFIRMATION OF TEACHING POINT 1

---

#### QUESTIONS

- Q1. What must be done before attempting to clean an air rifle?
- Q2. When are the four times an air rifle must be cleaned?
- Q3. How many felt cleaning pellets are fired before participating in a range practice?

#### ANTICIPATED ANSWERS

- A1. Individual safety precautions.
- A2. Before firing, after firing, periodically, and before storage for three months or more.
- A3. Two to three cleaning pellets will be fired before participating in a range practice.

---

#### Teaching Point 2

#### Explain and Demonstrate the Sequence for Storing the Air Rifle

Time: 10 min

Method: Demonstration and Performance

---

#### STORING THE AIR RIFLE IN THE CASE

The sequence for storing the cadet air rifle is the reverse order of the procedure for removing the air rifle from the case:

1. Ensure the open case is pointed in a safe direction.
2. Close the action (bolt forward and closed).
3. Slide safety rod out of the barrel.
4. Place the rifle in the case in the direction of the arrow on the case.
5. Confirm pumping lever is partially open.
6. Confirm the safety catch is ON.
7. Close the case.

---

### CONFIRMATION OF TEACHING POINT 2

---

#### QUESTIONS

- Q1. What position is the bolt in for storage?

- Q2. What direction is the rifle placed in the case?  
Q3. What position is the safety catch placed in for storage?

**ANTICIPATED ANSWERS**

- A1. Forward and closed.  
A2. In the direction of the arrow on the case.  
A3. ON, with no red showing.

---

**END OF LESSON CONFIRMATION**

---

**QUESTIONS**

- Q1. What must be done before anyone should attempt to clean an air rifle?  
Q2. What types of problems can be caused by a dirty bore?  
Q3. Before storage cleaning is done when a rifle will be stored for how long?

**ANTICIPATED ANSWERS**

- A1. They perform individual safety precautions.  
A2. It is important to keep the air rifle clean because a dirty bore will eventually cause accuracy problems.  
A3. Three months or more.

---

**CONCLUSION**

---

**HOMEWORK/READING/PRACTICE**

N/A.

**METHOD OF EVALUATION**

The instructor will confirm cadets' ability to clean and store the cadet air rifle at the end of a range practice.

**CLOSING STATEMENT**

A dirty air rifle and bore will cause accuracy and operation problems. Therefore, air rifles must be cleaned and maintained on a regular basis in order to ensure proper operation and sustained accuracy.

**INSTRUCTOR NOTES/REMARKS**

Emphasis must be placed on the safety aspects of this lesson.

---

**REFERENCES**

---

- A0-027 A-CR-CCP-177/PT-001 D Cdts 3. (2001). *Canadian Cadet Movement: Cadet Marksmanship Programme Reference Manual*. Ottawa, ON: Department of National Defence.



## COMMON TRAINING INSTRUCTIONAL GUIDE



### SECTION 6

#### EO M106.CA – PARTICIPATE IN A FAMILIARIZATION SHOOT USING THE CADET AIR RIFLE

Total Time:

90 min

### INTRODUCTION

#### PRE-LESSON INSTRUCTIONS

A complete list of resources needed for the instruction of this EO is located at Chapter 2 of the QSP. Specific uses for said stores are identified throughout the Instructional Guide, within the teaching point for which they are required.

Prior to instructing this lesson the instructor shall:

- review the lesson content, and become familiar with the material; and
- prepare an air rifle range IAW A-CR-CCP-177/PT-001, Chapter 1, Section 8, prior to the beginning of the activity.

#### PRE-LESSON ASSIGNMENT

N/A.

#### APPROACH

This activity will be presented using the performance method. The performance method was chosen to allow cadets to participate in supervised exploration of practical instructional material. This method appeals to all learning styles.

#### REVIEW

The pertinent review for this activity is the air rifle handling test. All cadets, prior to being allowed to fire the cadet air rifle, must complete the handling test.

#### OBJECTIVES

By the end of this lesson the cadet shall be expected to have participated in a familiarization shoot using the cadet air rifle.

#### IMPORTANCE

The experience of practicing the skills learned in previous lessons will help to confirm the cadets' marksmanship skills. Marksmanship is a skill which must be learned, and which will only improve through, practice on the range. This practice is essential to building up experience and developing a "feel" for marksmanship.

---

**Teaching Point 1**

**Conduct a Range Briefing**

Time: 10 min

Method: Interactive Lecture

---

**ACTIVITY – RANGE BRIEFING**

Time: 10 min

---

**OBJECTIVE**

The range briefing is required to pass on vital information required for the safe execution of a range practice.

**RESOURCES**

Local Range Standing Orders for the range that will be used for the practice.

**ACTIVITY LAYOUT**

The cadets are to receive a range briefing prior to the start of any range activity, to include:

- The reading of all pertinent sections of the local range standing orders.
- A review of rules and commands on an air rifle range (EO M106.04 [Section 4]).
- A review of the layout of the air rifle range.
- A reminder for cadets to practice proper hygiene by washing their hands after firing.

**SAFETY**

N/A.

**INSTRUCTOR GUIDELINES**

- Review local range standing orders.
  - Prepare a full briefing in order to be thorough and organized.
  - Arrange cadets to ensure all can fully observe the instructor.
- 

**Teaching Point 2**

**Conduct Cadet Air Rifle Handling Test**

Time: 20 min

Method: Performance

---

**ACTIVITY – HANDLING TEST**

Time: 20 min

---

**OBJECTIVE**

The air rifle handling test is required to ensure safe rifle handling at all times on the range.

**RESOURCES**

- Air rifle handling test provided at Chapter 3 of the QSP.
- Cadet air rifle.

## ACTIVITY LAYOUT

Qualified range staff, using the form provided at Chapter 3 of the QSP, will test all cadets who have not successfully completed a handling test during the current training year.

## SAFETY

- Ensure complete control at all times, and ensure cadets treat air rifles as though they are loaded at all times.
- Ensure test is conducted toward a safe direction, away from other people.

## INSTRUCTOR GUIDELINES

- Review procedure for air rifle handling test.
- Prepare an organized plan for testing all cadets who require it.
- Ensure a plan is in place for retraining those cadets that are unsuccessful.

---

### Teaching Point 3

### Participate in a Familiarization Shoot

Time: 60 min

Method: Performance

---



This activity will be conducted under the supervision of a qualified Range Safety Officer (RSO).

---

## ACTIVITY – FAMILIARIZATION SHOOT

Time: 60 min

---

## OBJECTIVE

The purpose of this familiarization shooting activity is to introduce marksmanship in the Canadian Cadet Movement (CCM).

## RESOURCES

- Cadet air rifles.
- Air rifle safety rods.
- Safety glasses/goggles.
- Pellets.
- Suitable targets.
- Range assistants.
- A qualified Range Safety Officer (RSO).

## ACTIVITY LAYOUT

N/A.

## SAFETY

All standard range safety procedures will apply.

## INSTRUCTOR GUIDELINES

- The RSO shall ensure that all rules and procedures are strictly adhered to.
- Cadets shall successfully complete the air rifle handling test prior to firing pellets on a cadet air rifle range.

N/A.

---

## END OF LESSON CONFIRMATION

---

N/A.

---

## CONCLUSION

---

## HOMEWORK/READING/PRACTICE

N/A.

## METHOD OF EVALUATION

There is no formal assessment of this activity.

## CLOSING STATEMENT

The cadets are to be allowed to review their targets and, assisted by senior cadets, select targets that may be eligible for recognition under the CCM Shooting Program.

## INSTRUCTOR NOTES/REMARKS

N/A.

---

## REFERENCES

---

- A0-027 A-CR-CCP-177/PT-001 D Cdts 3. (2001). *Canadian Cadet Movement: Cadet Marksmanship Programme Reference Manual*. Ottawa, ON: Department of National Defence.
- A2-003 D Cdts. (2005). CATO 14-41, *Annex E, Appendix 1, Marksmanship, Rifles, and Ammunitions*. In *Cadet Administrative and Training Orders (Vol. 1, 8 pages)*. Ottawa, ON: Department of National Defence.





## COMMON TRAINING INSTRUCTIONAL GUIDE



### SECTION 7

#### EO C106.01 – PARTICIPATE IN A RECREATIONAL SHOOT USING THE CADET AIR RIFLE

Total Time:

90 min

### INTRODUCTION

#### PRE-LESSON INSTRUCTIONS

A complete list of resources needed for the instruction of this EO is located at Chapter 2 of the QSP. Specific uses for said stores are identified throughout the Instructional Guide, within the teaching point for which they are required.

Prior to instructing this lesson the instructor shall:

- review the lesson content, and become familiar with the material; and
- prepare an air rifle range IAW A-CR-CCP-177/PT-001, Chapter 1, Section 8, prior to the beginning of the activity.

#### PRE-LESSON ASSIGNMENT

N/A.

#### APPROACH

The performance method was chosen to allow cadets to participate in supervised exploration of practical instructional material. This method appeals to all learning styles.

#### REVIEW

The pertinent review for this activity is the air rifle handling test. All cadets, prior to being allowed to fire the cadet air rifle, must complete the handling test.

#### OBJECTIVES

By the end of this lesson the cadet shall be expected to participate in a recreational shoot using the cadet air rifle.

#### IMPORTANCE

The experience of practicing the skills learned in PO 106 (Chapter 6) will help to enhance the cadets' marksmanship skills. Marksmanship is a skill which must be learned, and which will only improve, through practice on the range. This practice is essential to building up experience and developing a "feel" for marksmanship.

---

**Teaching Point 1****Conduct a Range Briefing**

Time: 10 min

Method: Interactive Lecture

---

**ACTIVITY – RANGE BRIEFING**

Time: 10 min

---

**OBJECTIVE**

The range briefing is required to pass on vital information required for the safe execution of a range practice.

**RESOURCES**

Local Range Standing Orders for the range that will be used for the practice.

**ACTIVITY LAYOUT**

The cadets are to receive a range briefing prior to the start of any range activity, to include:

- The reading of all pertinent sections of the local range standing orders.
- A review of rules and commands on an air rifle range (EO M106.04 [Section 4]).
- A review of the layout of the air rifle range.
- A reminder for cadets to practice proper hygiene by washing their hands after firing.

**SAFETY**

N/A.

**INSTRUCTIONAL GUIDELINES**

- Review local range standing orders.
  - Prepare a full briefing in order to be thorough and organized.
  - Arrange cadets to ensure all can fully observe the instructor.
- 

**Teaching Point 2****Conduct Cadet Air Rifle Handling Test**

Time: 20 min

Method: Performance

---

**ACTIVITY – HANDLING TEST**

Time: 20 min

---

**OBJECTIVE**

The air rifle handling test is required to ensure safe rifle handling at all times on the range.

**RESOURCES**

- Air rifle handling test provided at Chapter 3 of the QSP.
- Cadet air rifle.

## ACTIVITY LAYOUT

Qualified range staff, using the form provided at Chapter 3 of the QSP, will evaluate all cadets who have not successfully completed a handling test during the current training year.

## SAFETY

- Ensure complete control at all times, and ensure cadets treat air rifles as though they are loaded at all times.
- Ensure test is conducted toward a safe direction, away from other people.

## INSTRUCTIONAL GUIDELINES

- Review procedure for air rifle handling test.
- Prepare an organized plan for testing all cadets who require it.
- Ensure a plan is in place for retraining those cadets that are unsuccessful.

---

### Teaching Point 3

### Participate in a Recreational Shoot

Time: 60 min

Method: Performance

---



This activity will be conducted under the supervision of a qualified Range Safety Officer (RSO).

---

## ACTIVITY – RECREATIONAL SHOOT

Time: 60 min

---

## OBJECTIVE

The purpose of this recreational shooting activity is to raise the standard of marksmanship in the Canadian Cadet Movement (CCM).

## RESOURCES

- Cadet air rifles.
- Cadet air rifle safety rods.
- Safety glasses/goggles.
- Pellets.
- Suitable targets.
- Range assistants.
- A qualified RSO.

## ACTIVITY LAYOUT


- This activity shall be conducted as per established range practices.
- The cadets are to be allowed to review their targets.

## SAFETY

All standard range safety procedures will apply.

## INSTRUCTIONAL GUIDELINES

- The RSO shall ensure that all rules and procedures are strictly adhered to.
- Cadets shall successfully complete the air rifle handling test prior to firing pellets on a cadet air rifle range.

	<p>Suggested recreational shooting activities may include:</p> <ul style="list-style-type: none"><li>• timed events;</li><li>• different style targets; and</li><li>• biathlon drop plate targets.</li></ul>
---	--

---

## END OF LESSON CONFIRMATION

---

N/A.

---

## CONCLUSION

---

## HOMEWORK/READING/PRACTICE

N/A.

## METHOD OF EVALUATION

There is no formal assessment of this activity.

## CLOSING STATEMENT

The cadets are to be allowed to review their targets and, assisted by senior cadets, select targets that may be eligible for recognition under the Recreational Shooting Program.

## INSTRUCTOR NOTES/REMARKS

N/A.

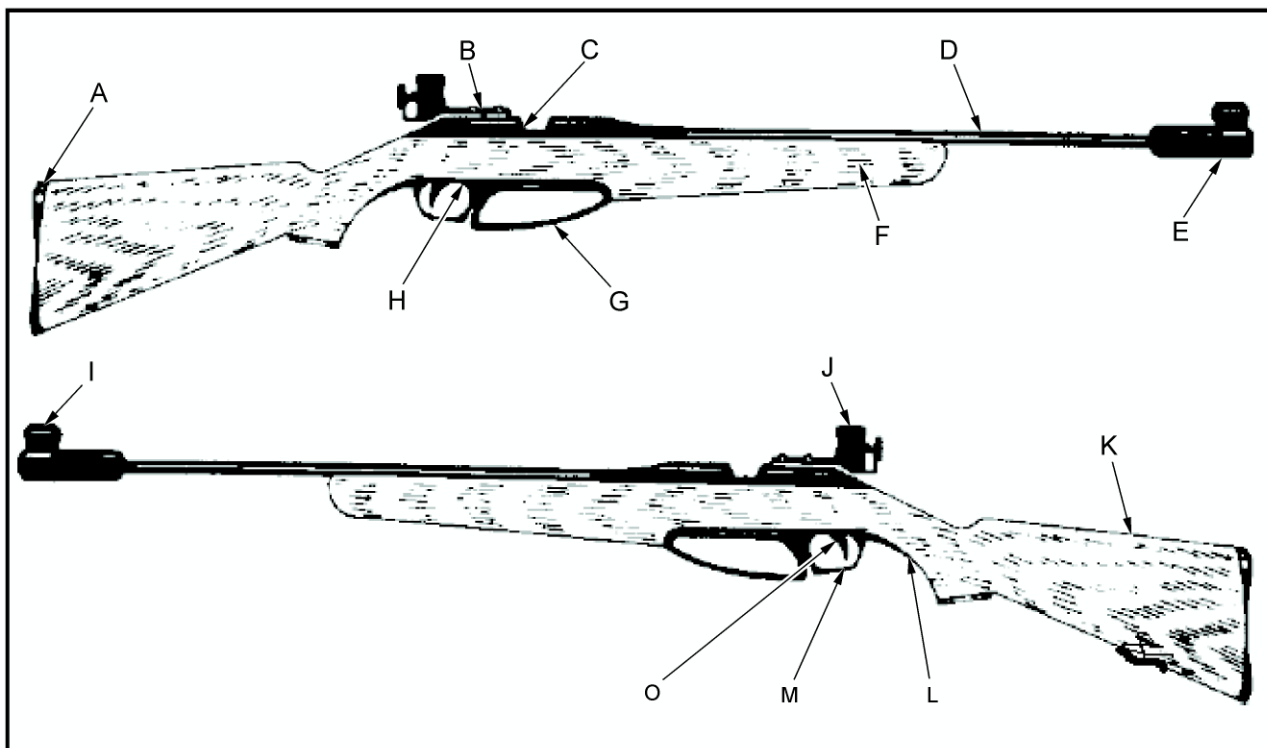
---

## REFERENCES

---

- A0-027 A-CR-CCP-177/PT-001 D Cdts 3. (2001). *Canadian Cadet Movement: Cadet Marksmanship Programme Reference Manual*. Ottawa, ON: Department of National Defence.
- A2-003 D Cdts. (2005). CATO 14-41, *Annex E, Appendix 1, Marksmanship, Rifles, and Ammunitions*. In *Cadet Administrative and Training Orders (Vol. 1, 8 pages)*. Ottawa, ON: Department of National Defence.

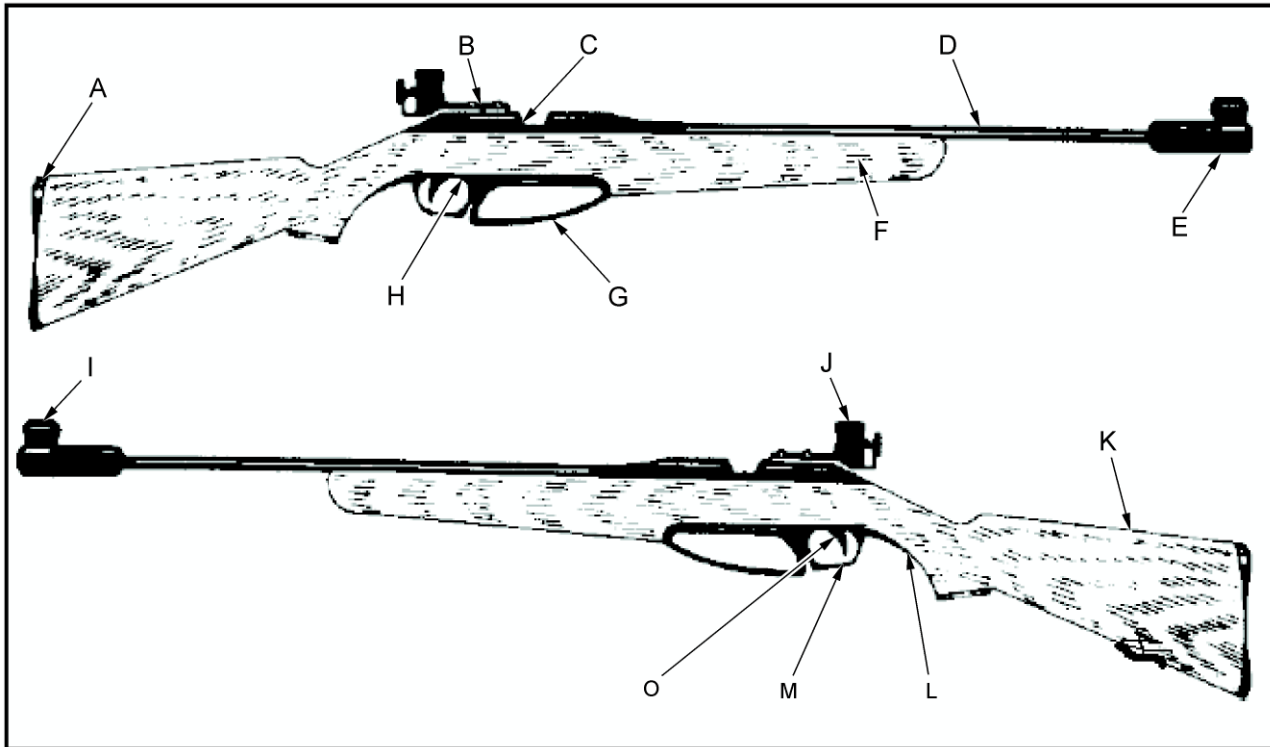
**PARTS AND CHARACTERISTICS OF THE CADET AIR RIFLE**



Put the letter next to the matching name of the part of the cadet air rifle.

- |                      |       |                   |       |
|----------------------|-------|-------------------|-------|
| 1. Feed Track        | _____ | 8. Safety Catch   | _____ |
| 2. Small of the Butt | _____ | 9. Muzzle         | _____ |
| 3. Barrel            | _____ | 10. Pump Lever    | _____ |
| 4. Fore End          | _____ | 11. Front Sight   | _____ |
| 5. Rear Sight        | _____ | 12. Trigger Guard | _____ |
| 6. Trigger           | _____ | 13. Butt Plate    | _____ |
| 7. Bolt              | _____ | 14. Stock         | _____ |

**ANSWER KEY**



Put the letter next to the matching name of the part of the cadet air rifle.

1.	Feed Track	<u>          C          </u>	8.	Safety Catch	<u>          H          </u>
2.	Small of the Butt	<u>          L          </u>	9.	Muzzle	<u>          E          </u>
3.	Barrel	<u>          D          </u>	10.	Pump Lever	<u>          G          </u>
4.	Fore End	<u>          F          </u>	11.	Front Sight	<u>          I          </u>
5.	Rear Sight	<u>          J          </u>	12.	Trigger Guard	<u>          M          </u>
6.	Trigger	<u>          O          </u>	13.	Butt Plate	<u>          A          </u>
7.	Bolt	<u>          B          </u>	14.	Stock	<u>          K          </u>

### RANGE COMMANDS

Command	Action
"Cover off your firing point"	Stand up, move behind the firing point and await further commands.
"Place your equipment down and stand back"	Lay the equipment down on the mat and stand back when finished.
"Adopt the prone position"	Adopt the prone position, pick up the rifle, ready the equipment and put on hearing and eye protection.
Type of firing – "G.R.I.T."	This command includes information about the range and type of firing, i.e. Relay No._____, 10 metres, 5 rounds, Grouping, On Your Own Time.
"Relay, load, commence firing"	<ol style="list-style-type: none"> <li>1. Pick up and hold the rifle with the left hand.</li> <li>2. Ensure the safety catch is in the ON position.</li> <li>3. Pump the rifle.</li> <li>4. When the pump lever is fully extended, pause for about 3 seconds.</li> <li>5. Load the pellet.</li> <li>6. Close the bolt.</li> <li>7. Place the safety catch in the OFF position; aim the rifle at the target.</li> <li>8. Squeeze the trigger.</li> <li>9. Open the bolt.</li> <li>10. Repeat the sequence for each shot.</li> <li>11. Place the safety catch in the ON position and partially open the pump lever immediately after firing the practice.</li> <li>12. Lay down the rifle.</li> </ol>
MAY BE GIVEN	
"Relay, cease fire"	Stop firing immediately, put the safety catch in the ON position and lay the rifle down.
"Relay, resume fire"	Put the safety in the OFF position and continue the practice.

<b>Command</b>	<b>Action</b>
"Relay, unload"	<ol style="list-style-type: none"> <li>1. Pick up the rifle.</li> <li>2. Remove the five-pellet clip if used.</li> <li>3. Open the bolt.</li> <li>4. Pump the rifle.</li> <li>5. Close the bolt.</li> <li>6. Place the safety catch in the OFF position.</li> <li>7. Aim rifle at target.</li> <li>8. Pull the trigger.</li> <li>9. Place safety catch in the ON position.</li> </ol>
"Relay, prepare for inspection"	<ol style="list-style-type: none"> <li>1. Open the bolt.</li> <li>2. Open the pump lever 5 to 8 cm.</li> <li>3. Place rifle on shoulder, muzzle pointed down range.</li> <li>4. Wait to be cleared by the RSO.</li> <li>5. Lay the rifle down.</li> <li>6. Remove your hearing and eye protection.</li> </ol>
"Relay, stand up"	Stand up and leave the equipment on the ground.
"Change targets"	Move forward, walk down the lane to remove old targets and replace them with new ones. Return to the firing point.
"Change relays"	Cadets who have just fired pick up their personal equipment and move off the firing point. The new relay covers off behind the firing point.

*A-CR-CCP-177/PT-001, Cadet Marksmanship Program Reference Manual*